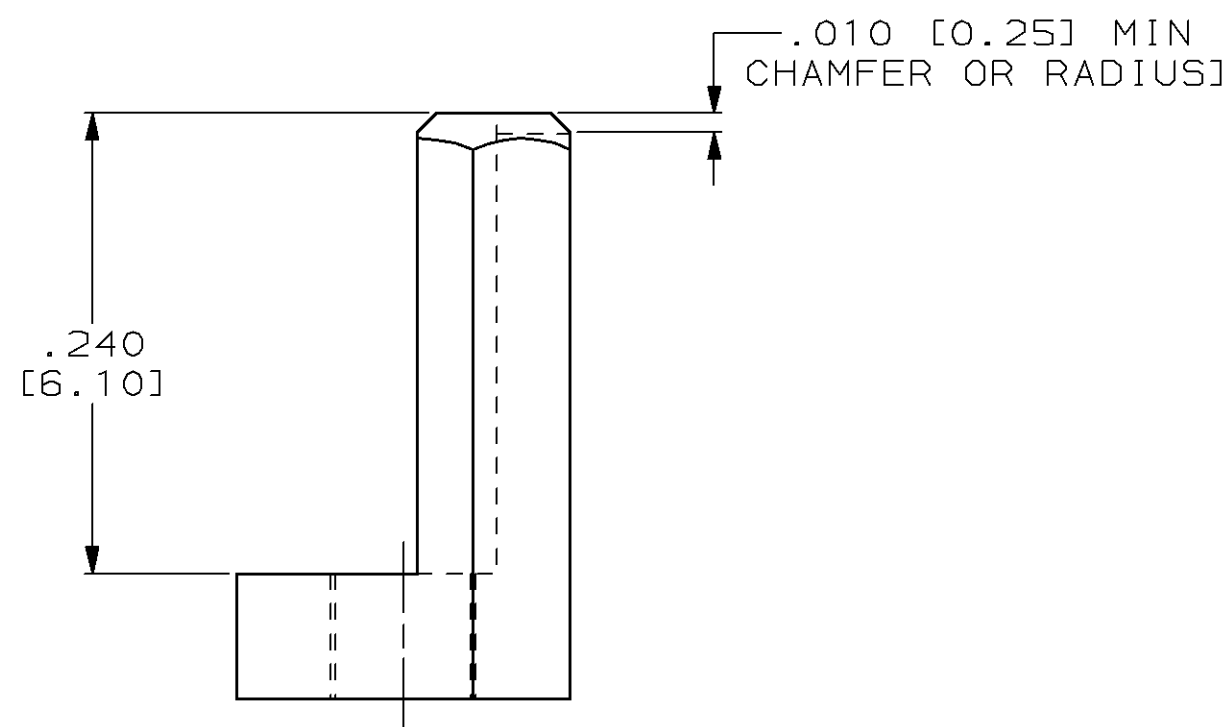
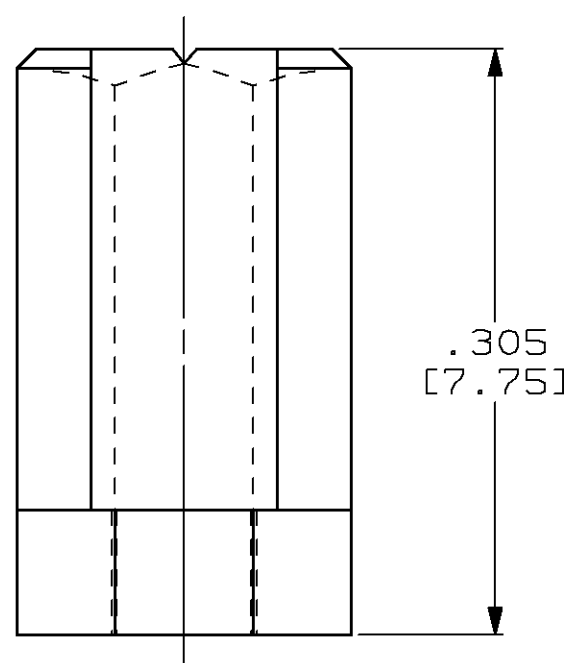
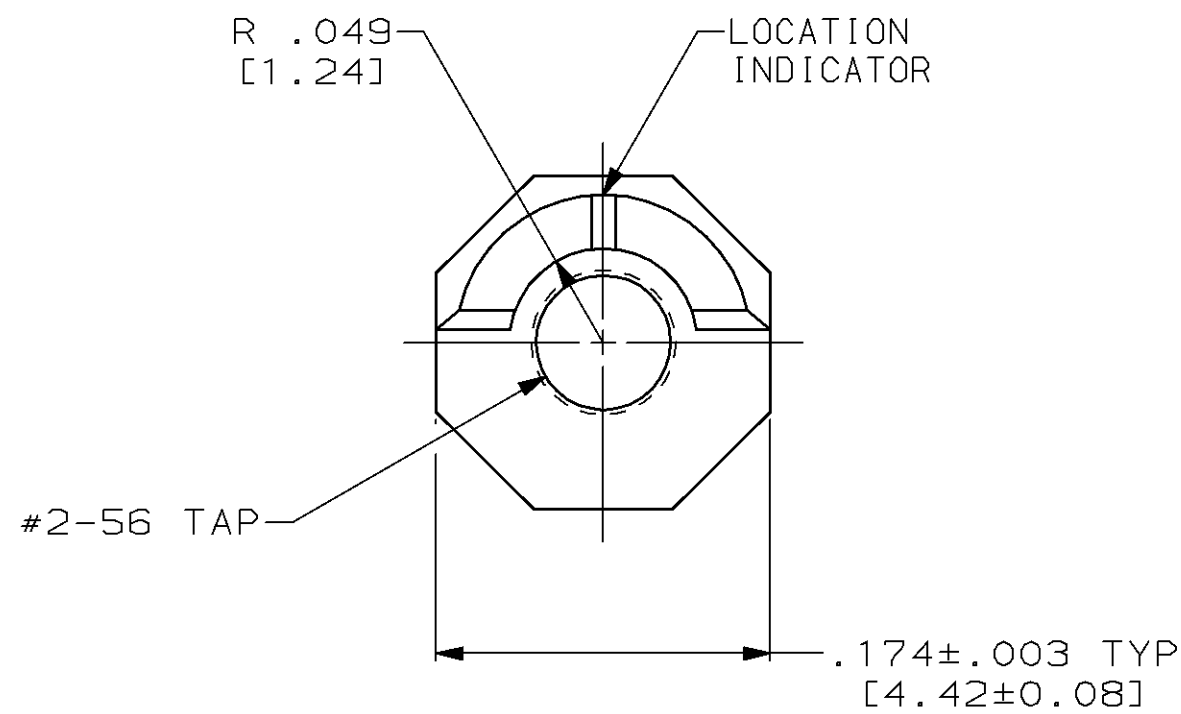


PROD CODE	LOC	DIST	P	F	ZONE	LTR	DESCRIPTION	DATE	APPD
5394	DF	FO				F1	REDRAWN & REVISED PER ECN DF-4625 T. S.	2-23-93	DM
			✓	✓		G	REV PER 0600-5094-96 JB	08-03-97	DM



- ① RECEPTACLE KIT CONSISTING OF 2 PIECES OF 530341-1 AND 2 #2-56 SCREWS, 1/4" LONG.
- ② PIN HEADER KIT CONSISTING OF 2 PIECES OF 530341-1 AND 2 PIECES OF 530347-1.
- ③ PIN HEADER KIT CONSISTING OF 2 PIECES OF 530341-1 AND 2 PIECES OF 530347-3.
- ④ CONSISTS OF 2 PIECES OF 530341-1.
- ⑤ PIN HEADER KIT CONSISTING OF 2 PIECES OF 530341-1 AND 2 #2-56 CROSS RECESSED ROUND HEADED SCREWS .250 LONG.
- ⑥ RECEPTACLE KIT CONSISTING OF 2 PIECES OF 530341-1 AND 2 PIECES OF 530347-2.

⑥	---	530341-8
⑤	---	530341-7
④	---	530341-6
③	---	530341-5
②	---	530341-4
①	---	530341-3
AS SHOWN	M55302/31-04	530341-1
REMARKS	MILITARY PART NUMBER	PART NUMBER

DO NOT SCALE PRINT. UNLESS SPECIFIED DIMENSIONS IN INCHES [mm] TOLERANCES ON : 2 PLC DEC ± _____ 3 PLC DEC ± .005 [0.13] ANGLES ± _____	DR 4-18-91 T. SHUEY CHK 2-23-93 D. MILLER APPD 2-23-93 B. FOLEY	AMP Incorporated Harrisburg, PA 17105-3608		
MATERIAL STAINLESS STEEL PER ASTM-A-582	APPD 2-23-93 T. ALEXANDER PRODUCT SPEC -			
FINISH PASSIVATED PER QQ-P-35	APPLICATION SPEC -	SIZE C	CAGE CODE 00779	DRAWING NO 530341
	WEIGHT -	SCALE 10:1	SHEET 1 OF 1	

530341